

FRONT BUMPER

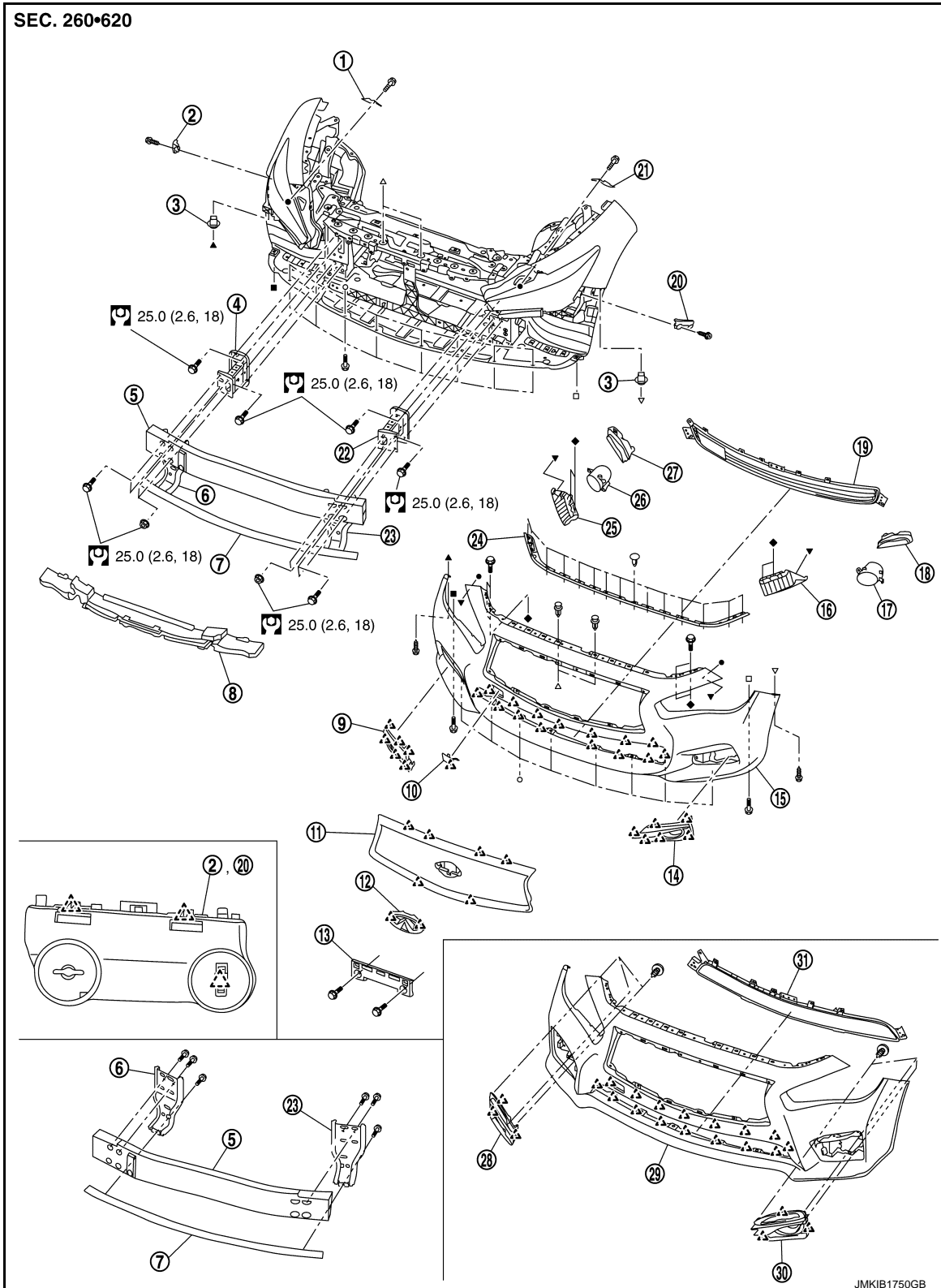
< REMOVAL AND INSTALLATION >

REMOVAL AND INSTALLATION

FRONT BUMPER

Exploded View

INFOID:000000012792615



FRONT BUMPER

< REMOVAL AND INSTALLATION >

- | | | |
|--|--|---|
| ① Front bumper side bracket RH | ② Front bumper fascia bracket RH | ③ Grommet |
| ④ Front bumper stay RH | ⑤ Front bumper reinforcement | ⑥ Apron side bracket RH |
| ⑦ Front apron reinforcement | ⑧ Front bumper energy absorber | ⑨ Front bumper finisher RH (normal grade) |
| ⑩ Bumper bracket cover | ⑪ Front grille | ⑫ Emblem |
| ⑬ License plate bracket | ⑭ Front bumper finisher LH (normal grade) | ⑮ Front bumper fascia assembly (normal grade) |
| ⑯ Front bumper side stiffener LH | ⑰ Front fog lamp assembly LH | ⑱ Front turn signal lamp LH |
| ⑲ Front bumper grille | ⑳ Front bumper fascia bracket LH | ㉑ Front bumper side bracket LH |
| ㉒ Front bumper stay LH | ㉓ Apron side bracket LH | ㉔ Hood front seal |
| ㉕ Front bumper side stiffener RH | ㉖ Front fog lamp assembly RH | ㉗ Front turn signal lamp RH |
| ㉘ Front bumper finisher RH (sport grade) | ㉙ Front bumper fascia assembly (sport grade) | ㉚ Front bumper finisher LH (sport grade) |
| ㉛ Front bumper grille (sport grade) | | |

△ : Pawl

Ⓜ : N·m (kg-m, ft-lb)

●, ▲, ■, ▼, ◆, ○, △, □, ▽: Indicates that the part is connected at points with same symbol in actual vehicle.

Removal and Installation

INFOID:000000012792616

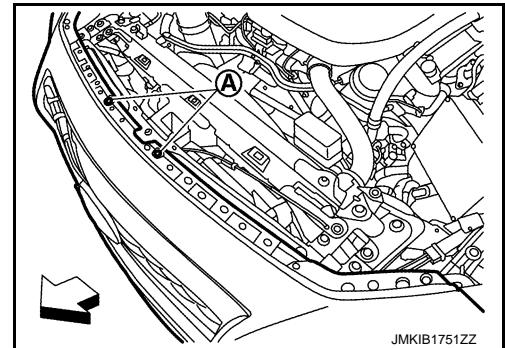
CAUTION:

Bumper fascia is made of resin. Never apply strong force to it, and be careful to prevent contact with oil.

REMOVAL

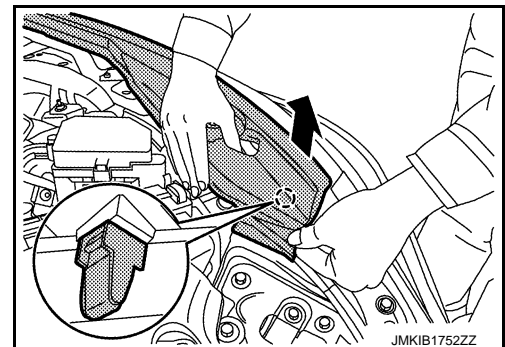
1. Fully open hood assembly.
2. Remove air intake cover fixing clips, and then remove air intake cover.
3. Remove front bumper fascia assembly fixing clips ① of bumper upper side.

← : Vehicle front



4. Remove fender side seal assembly fixing clip of fender side seal assembly front side (LH and RH).

○ : Clip

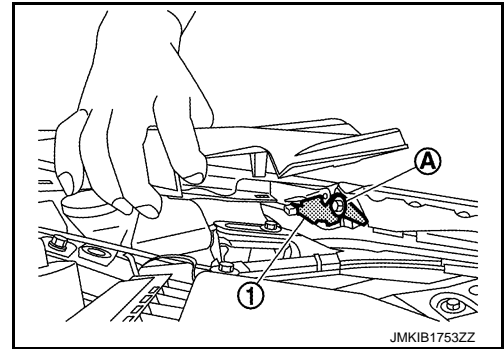


A
B
C
D
E
F
G
H
I
J
EXT
L
M
N
O
P

FRONT BUMPER

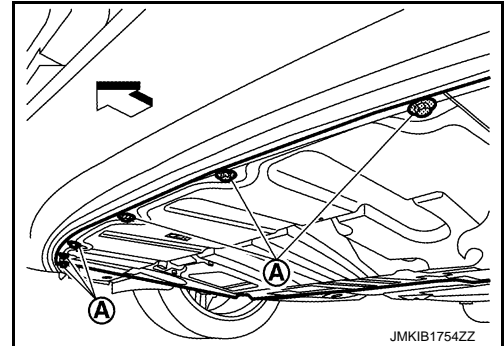
< REMOVAL AND INSTALLATION >

5. Remove front bumper side bracket ① mounting bolt ①, and then remove front bumper side bracket (LH and RH).



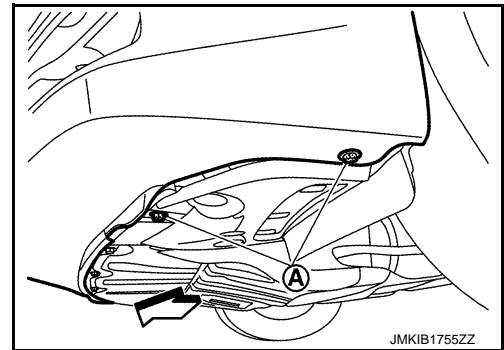
6. Remove front bumper fascia assembly mounting bolts ① of bumper lower side.

← : Vehicle front

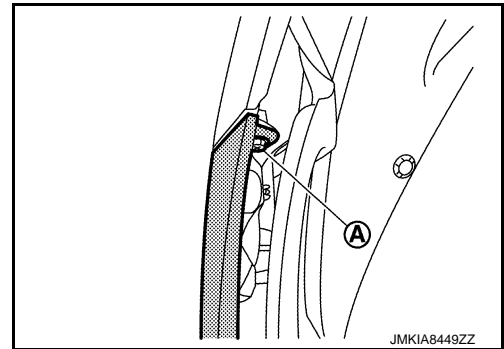


7. Remove fender protector mounting bolts ① from front side of front fender protector front (LH and RH).

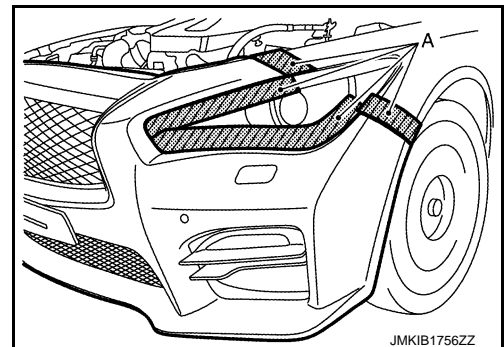
← : Vehicle front



8. Remove front bumper fascia assembly fixing screws ① (LH and RH).



9. Apply protective tape (A) on the part to protect it from damage.




FRONT BUMPER

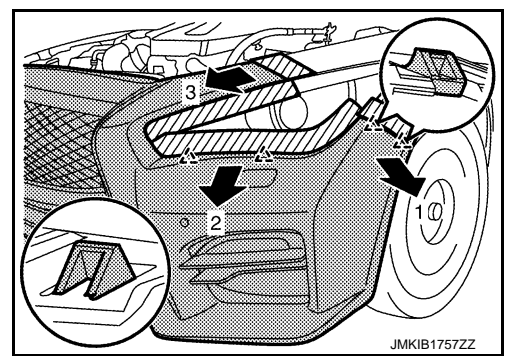
< REMOVAL AND INSTALLATION >

10. Pull bumper fascia side toward the vehicle side to disengage the fitting of bumper side bracket and bumper fascia side according to the numerical order 1→3 as shown by the arrows in the figure.

CAUTION:

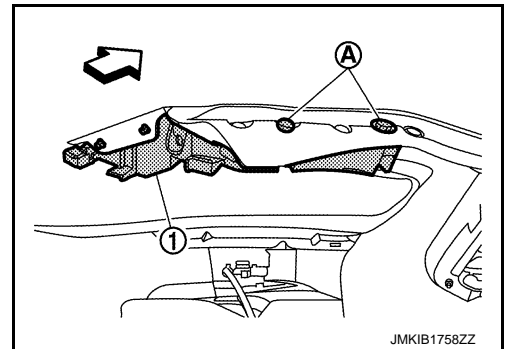
When removing bumper fascia assembly, 2 workers are required so as to prevent it from dropping.

 : Pawl



11. Disconnect front fog lamp harness connectors (LH and RH).
12. Disconnect front turn signal lamp harness connectors (LH and RH).
13. Disconnect sonar sensor harness connector of front bumper fascia right side (if equipped).
14. Disconnect front camera harness connector of front bumper fascia right side (if equipped).
15. Remove front bumper fascia assembly.
16. Remove the following parts after removing front bumper fascia assembly.
- Front fog lamp assembly. Refer to [EXL-216, "Removal and Installation"](#).
 - Front turn signal lamp. Refer to [EXL-214, "Removal and Installation"](#).
 - Sonar sensor (if equipped). Refer to the following.
 - FRONT CENTER SENSOR: [AV-624, "FRONT CENTER SENSOR : Removal and Installation"](#).
 - CORNER SENSOR: [AV-626, "CORNER SENSOR AND REAR CENTER SENSOR : Removal and Installation"](#)
 - Front camera (if equipped). Refer to [AV-620, "Removal and Installation"](#).
 - Front grille. Refer to [EXT-25, "Removal and Installation"](#).
 - Hood front seal.
 - Bumper bracket cover
 - Front bumper grille
 - License plate bracket
 - Bumper harness
17. Remove front bumper side stiffener ① mounting bolts ② of bumper upper side, and then remove front bumper side stiffener (LH and RH).


 : Vehicle front

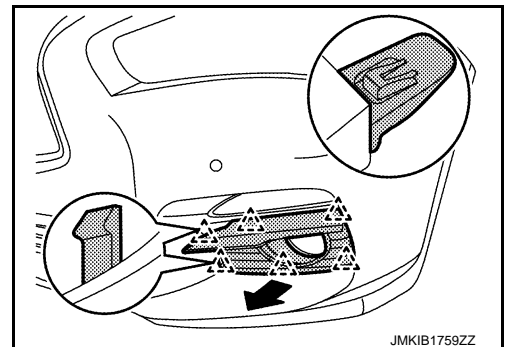


18. Remove front bumper finisher.

Normal grade

1. Disengage front bumper finisher fixing pawls, and then remove front bumper finisher (LH and RH) as shown by the arrows in the figure.

 : Pawl

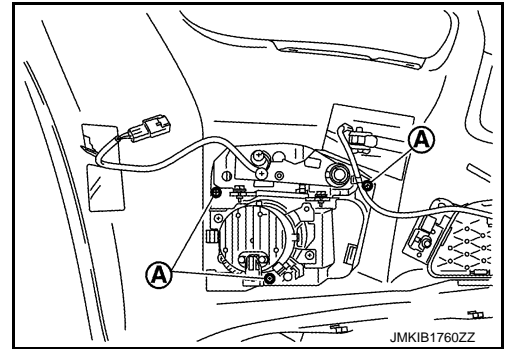


Sport grade


FRONT BUMPER

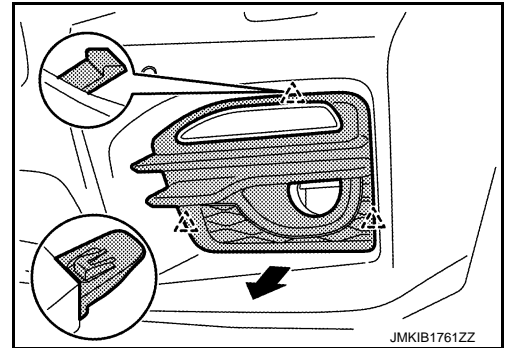
< REMOVAL AND INSTALLATION >

1. Remove front bumper finisher fixing screws (A) of front bumper fascia back side.



2. Disengage front bumper finisher fixing pawls, and then remove front bumper finisher (LH and RH) as shown by the arrows in the figure.

 : Pawl



19. Remove front bumper fascia bracket fixing screws, and then remove front bumper fascia bracket (LH and RH).
20. Remove front bumper energy absorber.
21. Remove ICC SENSOR. Refer to [CCS-166, "Removal and Installation"](#).
22. Remove air guide (LH and RH). Refer to [DLK-187, "2.0L TURBO GASOLINE ENGINE : Exploded View"](#).
23. Remove front bumper reinforcement mounting nuts and bolts, and then remove front bumper reinforcement.
24. Remove the following parts after removing front bumper reinforcement.
 - Apron side bracket (LH and RH)
 - Front apron reinforcement
25. Remove front bumper stay mounting bolts, and then remove front bumper stay (LH and RH).

INSTALLATION

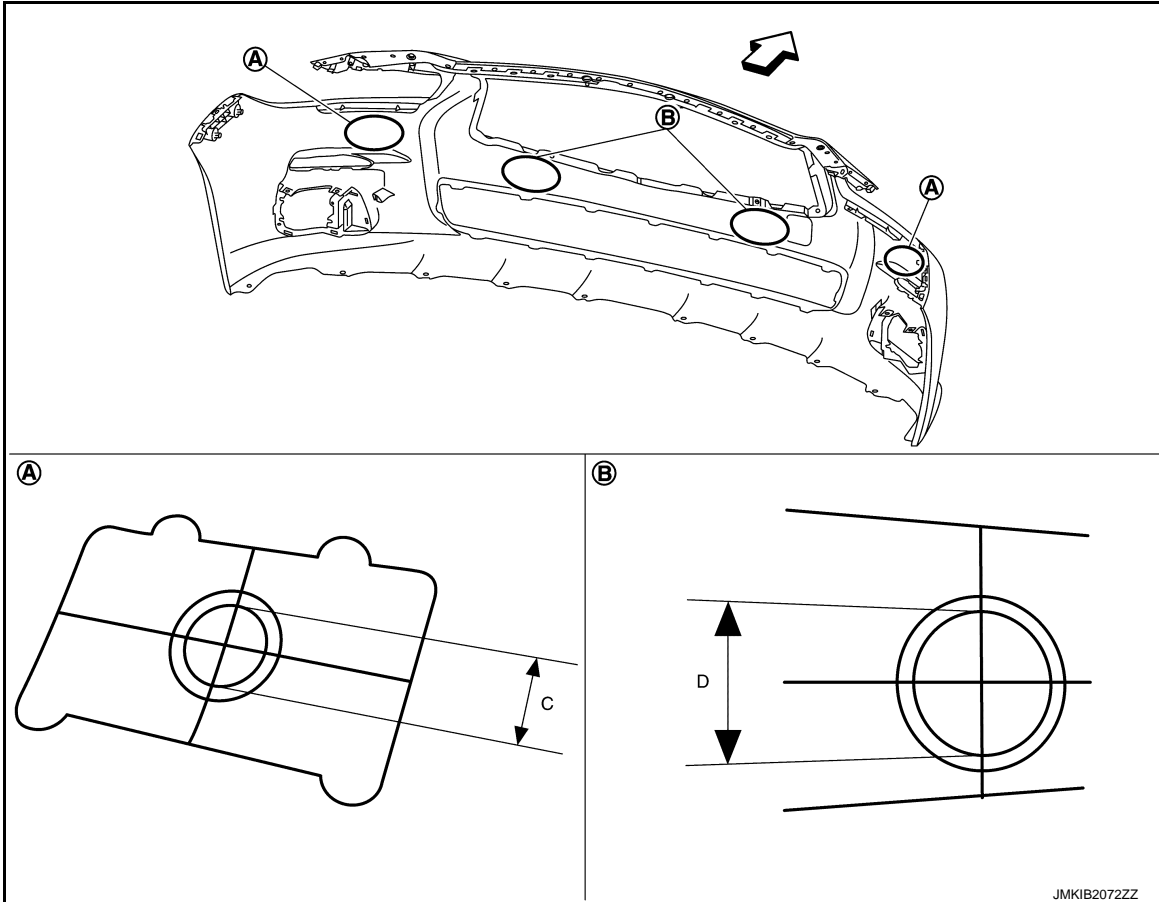
Note the following items, and then install in the reverse order of removal.

NOTE:

FRONT BUMPER

< REMOVAL AND INSTALLATION >

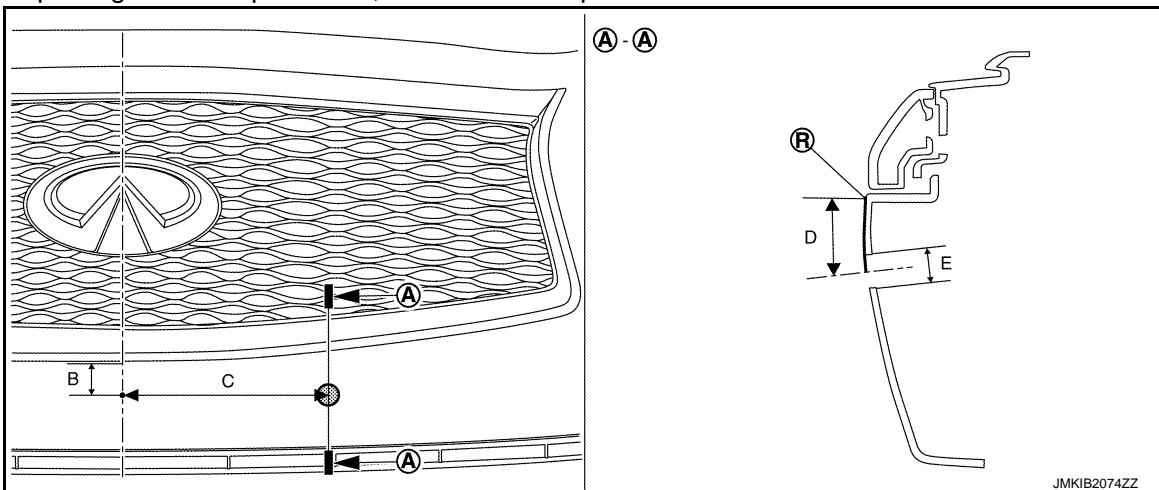
- When replacing front bumper fascia, drill the sonar sensor installation holes in the (A) and (B) parts of the marking-off line from back side of front bumper fascia (with sonar sensor).



← : Vehicle front

Portion	Diameter
C	$\phi 18.0 \text{ mm } (\phi 0.709 \text{ in})$
D	$\phi 32.0 \text{ mm } (\phi 1.260 \text{ in})$

- When replacing front bumper fascia, drill the license plate bracket installation holes as shown in the figure.



A
B
C
D
E
F
G
H
I
J
EXT
L
M
N
O
P

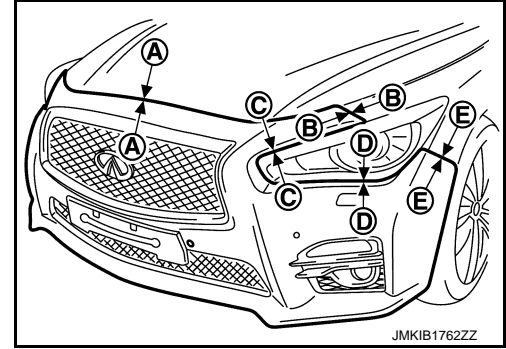
FRONT BUMPER

< REMOVAL AND INSTALLATION >

Portion	Dimension/Diameter
B	20.0 mm (0.787 in) *
C	120.0 mm (4.724 in) *
D	22.6 mm (0.890 in) *
E	φ9.0 mm (φ0.345 in)

*: Dimension along the surface.

- The following table shows the specified values for checking normal installation status.
- Fitting adjustment cannot be performed.



Portion		Clearance	Surface height difference
Front bumper fascia assembly – Hood	Ⓐ – Ⓐ	2.0 – 4.0 mm (0.079 – 0.157 in)	(-1.0) – (+2.0) mm [(-0.039) – (+0.079) in]
Front bumper fascia assembly – Front fender	Ⓑ – Ⓑ	0.0 – 0.5 mm (0.000 – 0.020 in)	(-1.0) – (0.0) mm [(-0.039) – (0.000) in]
Front bumper fascia assembly – Front combination lamp	Ⓒ – Ⓒ	0.2 – 3.2 mm (0.008 – 0.126 in)	—
	Ⓓ – Ⓓ	0.2 – 3.2 mm (0.008 – 0.126 in)	—
Front bumper fascia assembly – Front fender	Ⓔ – Ⓔ	0.0 – 1.1 mm (0.000 – 0.043 in)	(-1.5) – (+0.3) mm [(-0.059) – (+0.012) in]